

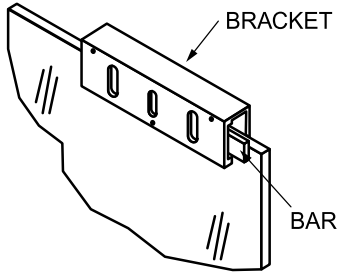


SECURITY DOOR CONTROLS

3580 Willow Lane, Westlake Village, CA 91361-4921 • (805) 494-0622 • Fax: (805) 494-8861
www.sdcsecurity.com • E-mail: service@sdcsecurity.com

INSTALLATION INSTRUCTIONS HDB HERCULITE GLASS DOOR BRACKET

INSTALL BRACKET AND BAR
TO GLASS DOOR



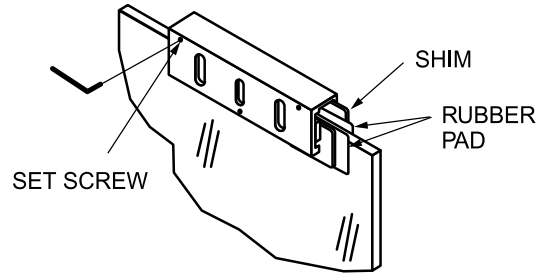
STEP 1

FOR 1/2" GLASS DOOR:
PLACE RUBBER PAD &
10 GA. SHIM BOTHSIDE.

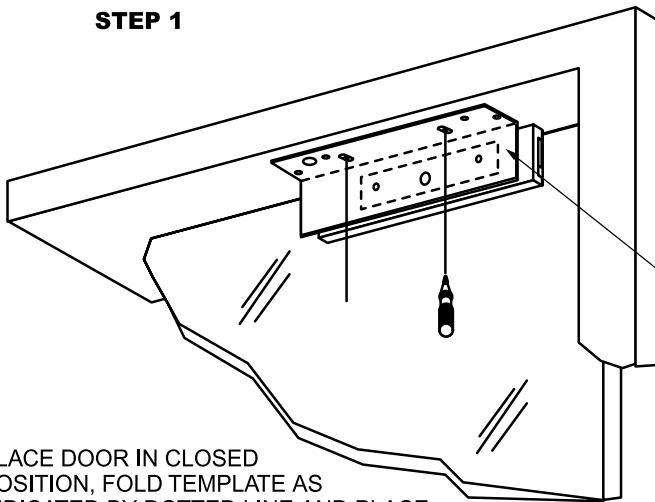
FOR 5/8" GLASS DOOR:
PLACE RUBBER PAD
BOTH SIDE & 10 GA. SHIM
ONESIDE ONLY.

FOR 3/4" GLASS DOOR:
PLACE RUBBER PAD
BOTH SIDE & 18 GA. SHIM
ONESIDE ONLY.

SECURE SET SCREWS WITH
ALLEN WRENCH PROVIDED.

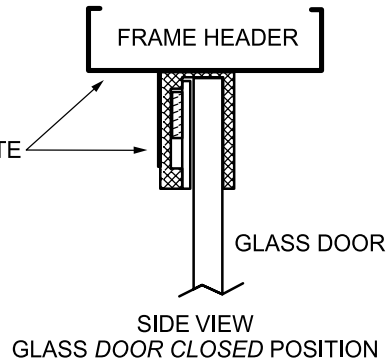


STEP 2

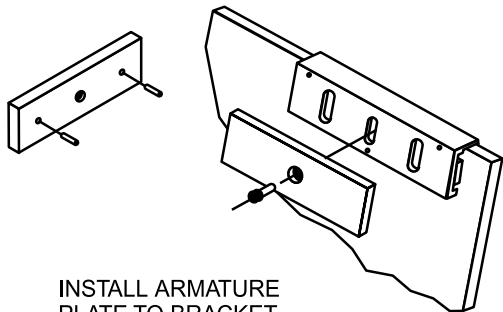


PLACE DOOR IN CLOSED
POSITION, FOLD TEMPLATE AS
INDICATED BY DOTTED LINE AND PLACE
TEMPLATE AGAINST FRAME HEADER AND
BRACKET THEN MARK AND DRILL AS INDICATED.

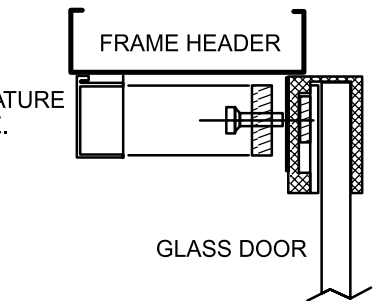
STEP 3



ADJUST ARMATURE PLATE
AS NEEDED FOR PROPER
ALIGNMENT BETWEEN ARMATURE
PLATE TO EMLOCK SURFACE.



STEP 4



STEP 5

DWG# 4405