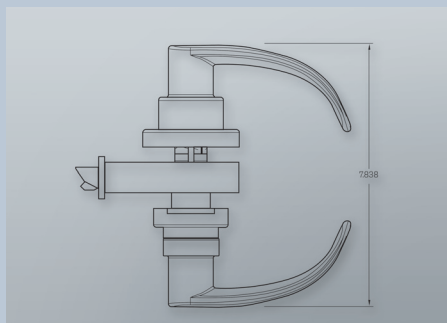


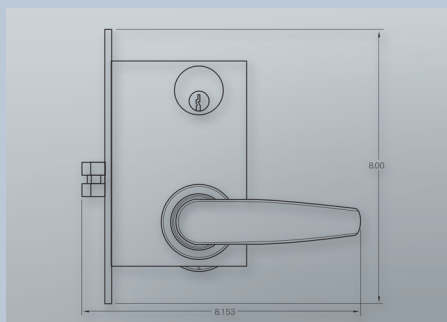
DIGITAL MORTISE RETROFIT LOCK



Mortise lock with castle-style handle



Dimensions in inches



Dimensions in inches

The SimonsVoss Digital Mortise Retrofit Lock can be used to convert many of the most popular mortise locks to provide the features of electronic access control with no wiring. Change access privileges without grinding keys, track access to the facility and control that access by time and date. The access privileges can be changed even if the credential (transponder) is not available. Configuration and monitoring of the lock can be done with a hand-held tool or through a wireless network. A sophisticated multi-level battery management system is designed to make this system easy to manage while keeping your maintenance costs to a minimum.

PRODUCT VERSIONS:

- Three handle styles: Castle, Manor and Harbor
- Available finishes: Satin Stainless Steel, Bright Stainless Steel, Satin Brass, Bright Brass, Satin Nickel and Satin Oil-Rubbed Bronze
- It is shipped right- or left-handed as requested, but can be changed at installation
- Standard version unlocks approximately 3 seconds when an authorized transponder is activated. Unlock time can be extended to 10 seconds through the software
- Custom unlock times or classroom function (transponder used to lock and unlock) are also available as a special order

TECHNICAL SPECIFICATIONS:

- Non-stainless finishes are polymer coatings that meet or exceed ANSI A156.18-2000 standard for equivalent materials and finishes
- The Digital Mortise Retrofit Lock has been tested with: Schlage (L9000 Series), Yale (8800 Series), Sargent (8200 Series), Corbin Russwin (ML2000 Series), Marks (5 Series) and PDQ (MR Series)
- Dimensions: 7.8 in x 8 in x 8.1 in (198 mm x 203 mm x 206 mm)
- Operating Temperature: -4°F to +140°F (-20 °C to +60 °C)
- Meets ANSI Grade 1 lock specifications
- Two coin-cell style Lithium batteries (CR2450) provide 150,000 operations
- 5+1 time zone groups (100 time zone groups *)
- Up to 32,000 (64,000 *) transponders can be managed per lock
- Up to 96,000 (320,000 *) locks can be managed per transponder
- Able to record the last 3,000 events
- Compliance standards: FCC Part 15, FCC ID: UUC-01, Canada: 6867A-01
- ANSI Grade 1 lock, UL10C
- Supports up to five transponder groups each of which can have unique access schedules

* Availability scheduled for 3rd quarter

ORDERING DETAILS:

PART NUMBER: SV1R- (Specify finish, style and handing)

FINISHES

- 629 Bright Stainless Steel
- 630 Satin Stainless Steel
- 605 Bright Brass
- 606 Satin Brass
- 613 Satin Oil-Rubbed Bronze
- 619 Satin Nickel

STYLES:



C = Castle



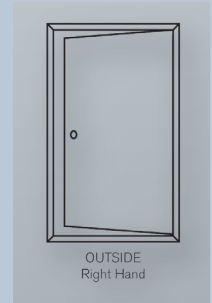
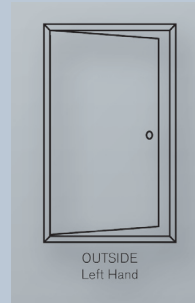
M=Manor



H=Habor

HANDING

LH = Left Hand
RH = Right Hand



PART NUMBER	FINISH	STYLE	HANDING	COMPLETE PART #
SV1R	e.g. 630	H	LH	SV1R-630H-LH