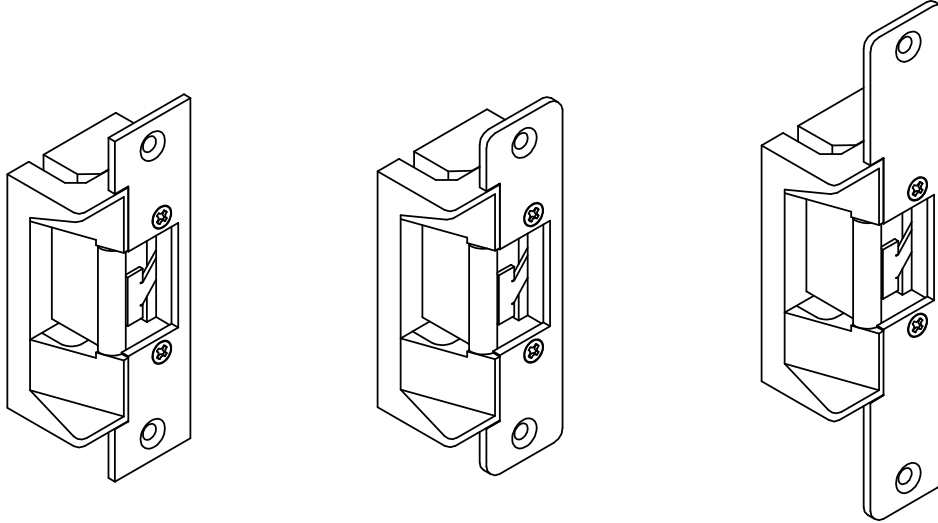


# **SDC** SECURITY DOOR CONTROLS

3580 Willow Lane, Westlake Village, CA 91361-4921 • (805) 494-0622 • Fax: (805) 494-8861  
www.sdcsecurity.com • E-mail: service@sdsecurity.com

## INSTALLATION INSTRUCTIONS 45 SERIES ELECTRIC STRIKES



### MODELS:

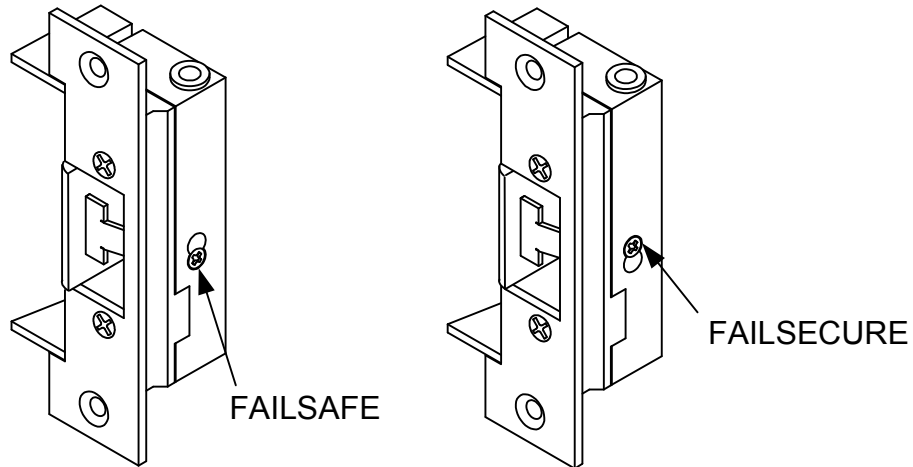
- 45-4S – 4.875" (124mm) Square corners for wood and hollow metal frames.
- 45-4R – 4.875" Radius corners for aluminum/wood frame
- 45-6R – 6.875" Radius corners for aluminum/wood frame.
- 45-7R – 7.938" Radius corners for aluminum/wood frame

### FEATURES:

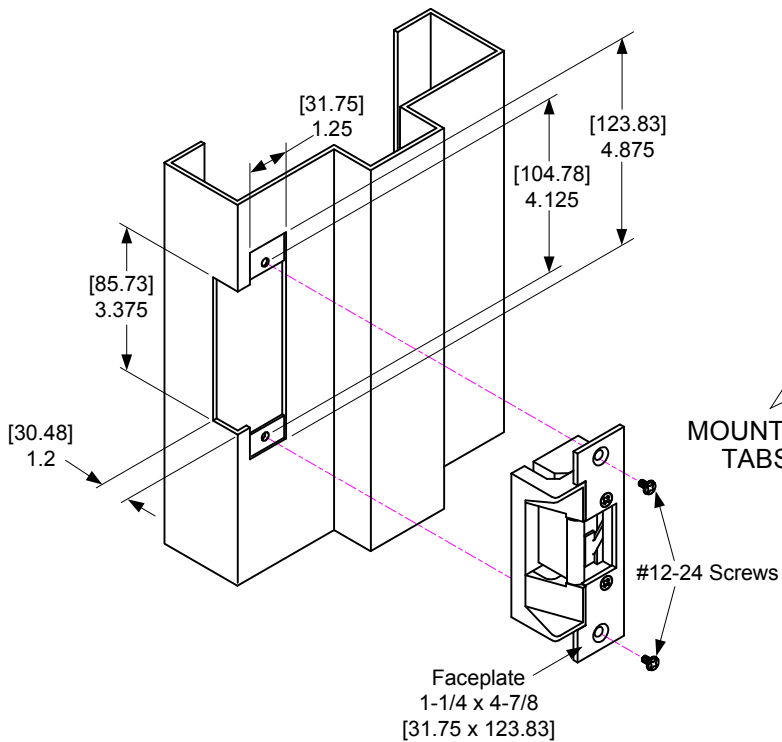
- For 5/8" latch or 3/4" latch with 1/8" door gap.
- **Latch bolt monitor standard.**
- **Keeper closed & deadlocked standard.**
- Field selectable failsafe / failsecure.
- Field selectable voltage, 12/24V AC/DC
- 1/4" horizontal alignment adjustment.
- Plug-in wire connectors.
- Low profile, 1-3/16" deep
- All stainless steel parts with durable die cast body for corrosion resistance.
- Fewer moving parts for maximum life.
- 630 stainless steel standard.
- ANSI A156.31
- UL Listed (BP10254 40WH)
- Patent Pending

Any suggestions or comments to this instruction or product are welcome. Please contact us through our website or email [engineer@sdsecurity.com](mailto:engineer@sdsecurity.com)

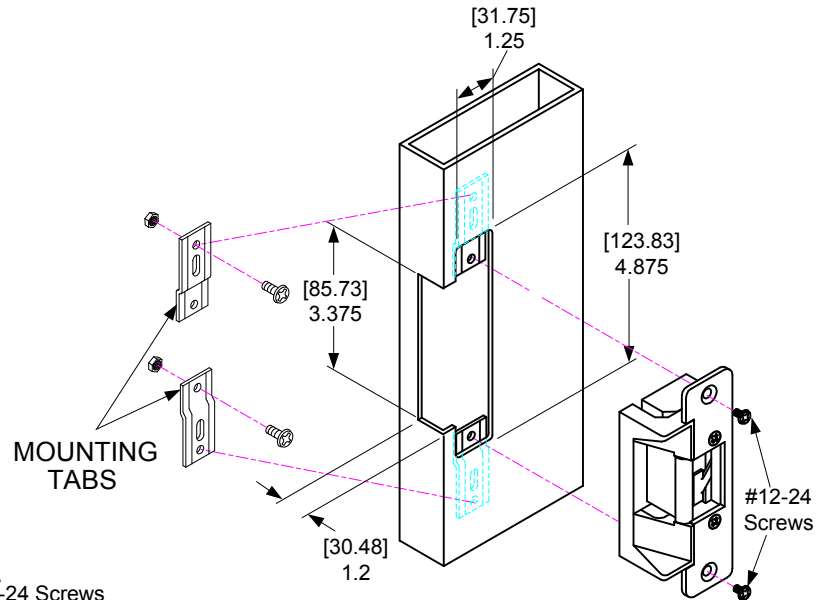
**Failsecure standard. Field adjustable from Failsecure to Failsafe as shown.**



**Typical Hollow Metal Frame**



**Typical Aluminum Frame**



**Electrical Data:**

- Dual Voltage: 280/140mA @ 12/24V DC  
170/85mA @ 12/24V AC

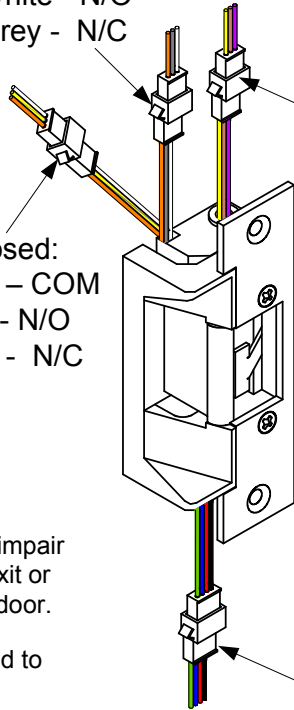
Latch Status: Orange - COM  
White - N/O  
Grey - N/C

Keeper-Open/Closed:  
Wht/Blk – COM  
Yel/Blk - N/O  
Org/Blk - N/C

**Monitoring:**

- **Latch Status:** SDPT, dry 3Amp @ 30V (standard)
- **Keeper Closed and Deadlocked** (standard)
- **Keeper Open/Closed Status:** SPDT, Dry 3Amp @ 30V (optional)

Keeper/Deadlocked: Purple – COM  
Brown - N/O  
Yellow - N/C



**Notes:**

The electric door strike shall be installed in such a way as not to impair the operation of an emergency exit or panic hardware mounted on the door.

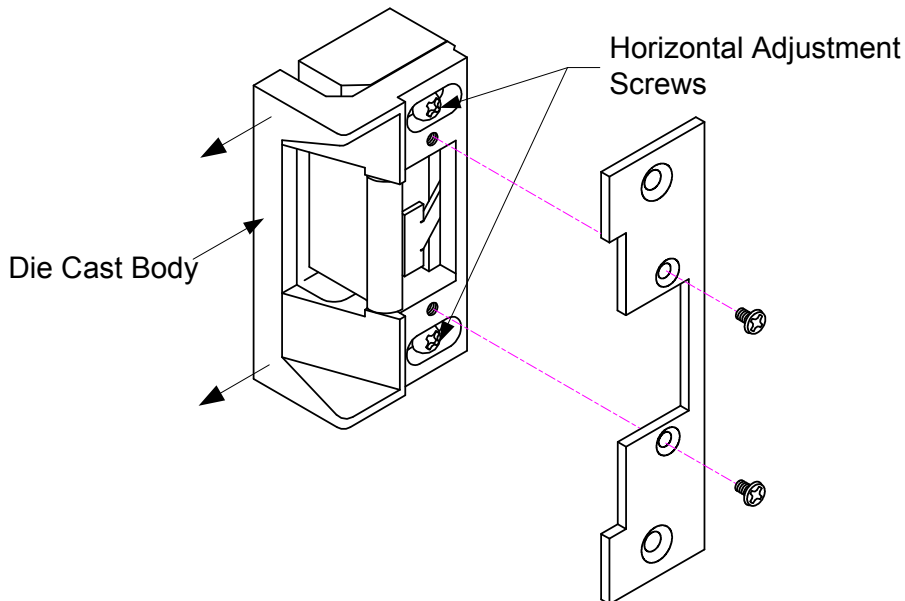
Wire leads must not be connected to conductors larger than 18AWG

12V		24V	
Red	— +	Red	— +
Black	— +	Black	—
Blue	— -	Blue	—
Green	— -	Green	— -

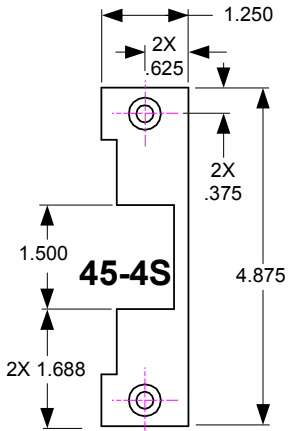
Solenoid: Black, Red, Blue & Green

**Horizontal Adjustment**

Remove Faceplate. Loosen Horizontal Adjustment Screws and slide Die Cast Body out as needed. Retighten Adjustment Screws and replace Faceplate.

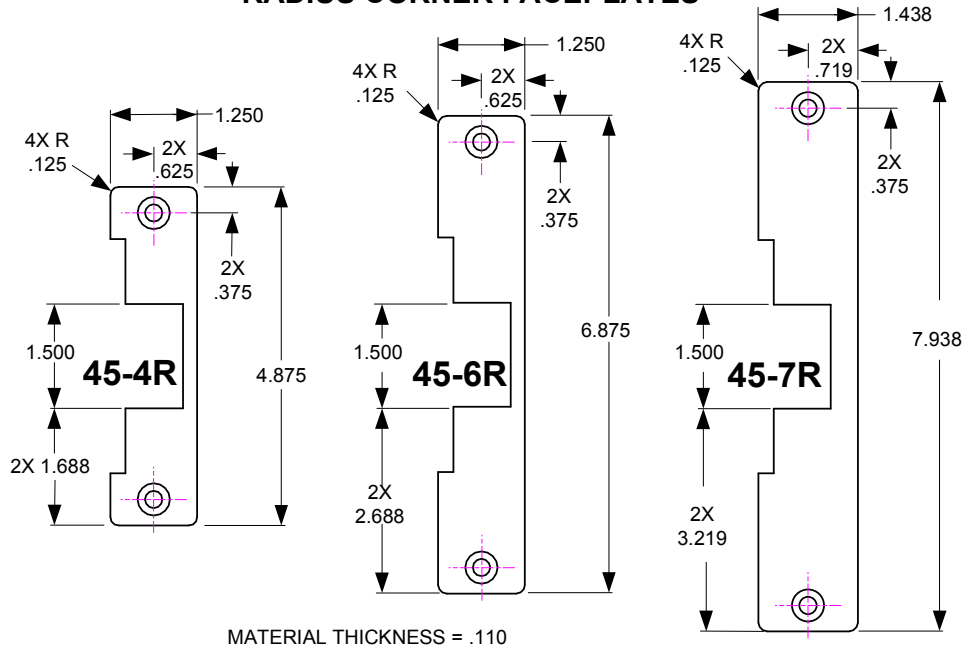


**HOLLOW METAL,  
SQUARE CORNER  
FACEPLATE**



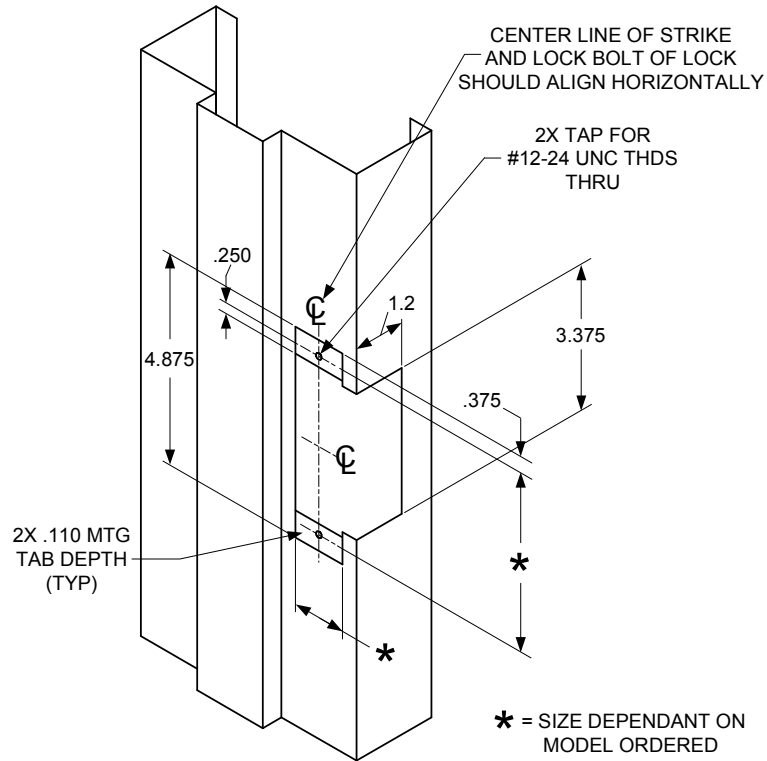
MATERIAL THICKNESS = .110

**ALUMINUM / WOOD  
RADIUS CORNER FACEPLATES**



MATERIAL THICKNESS = .110

**45 SERIES ELECTRIC STRIKE FRAME PREPARATION  
FOR HOLLOW METAL FRAMES**



\* = SIZE DEPENDANT ON MODEL ORDERED